



## VacuStar L 400

Compressor vacuum-pump

**CVS develops and manufactures compressor vacuum-pumps specifically designed for installation in vacuum trucks. The development is made in close collaboration with our customers. This guarantees the optimum product for your application.**



### The compressor vacuum-pump

The air cooled series L was developed especially for the high requirements on mounting in small suction vehicles with tank sizes up to 5 m<sup>3</sup>.

### Features

- » High quality compressor vacuum-pumps from CVS for higher suction level and more suction power
- » Unique and robust design guarantee long lasting performance and high operating hours
- » Compact and light-weight compressor vacuum-pumps for higher payload on the truck

### Compressor vacuum-pumps with system

The series L delivers a maximum volume flow of up to 345 m<sup>3</sup>/h / 203 cfm. To change between pressure and suction operation you can use the changeover four-way valve. With connected cell aeration system 100 mbar / 27 HG" (90%) in continuous operation are possible.

### Advantages

- » Connectivity for integrated cell aeration
- » Connectivity for hydraulic motor
- » Optimized cooling
- » Visual oil level indicator
- » Shaft end exposed for driving using V-belts, cardan shaft and flexible coupling

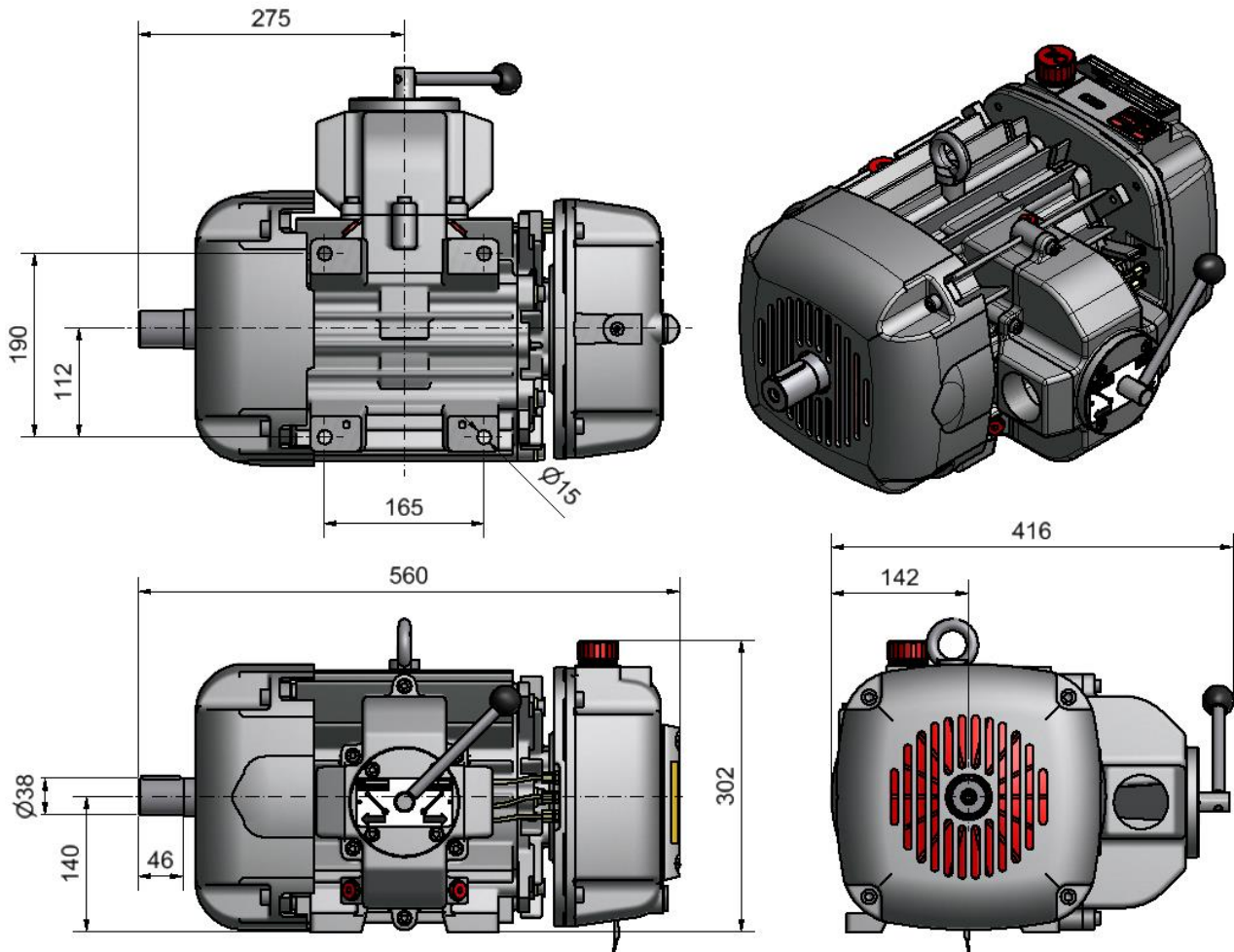


### Optional

- » Plasma-nitrided housing for difficult conditions, thus increased resistance to abrasive, adhesive and corrosive wear.
- » The integrated cell ventilation reduces the air outlet temperature > Increased service life due to lower thermal stress for rotor vanes, bearings, oil and housing.



## Dimensions



## Technical data

		<b>VacuStar L 400</b>
<b>Max. volume flow</b>	<b>m<sup>3</sup>/h / cfm</b>	345 / 203
<b>Max. operating pressure</b>	<b>bar g / psig</b>	1.5 / 21.3
<b>Max. operating vacuum*</b>	<b>mbar / HG"</b>	100 / 27
<b>Speed</b>	<b>1/min / rpm</b>	1500
<b>Power requirement at 0.5 bar / 7.25 psi</b>	<b>kW / hp</b>	10 / 13.4
<b>Sound pressure level in 7 m distance, at 0.5 bar g / 7.25 psig</b>	<b>dB(A)</b>	78
<b>Weight incl. changeover four-way valve</b>	<b>kg / lb</b>	85 / 187

\*with cell aeration

Technical subject to alteration