

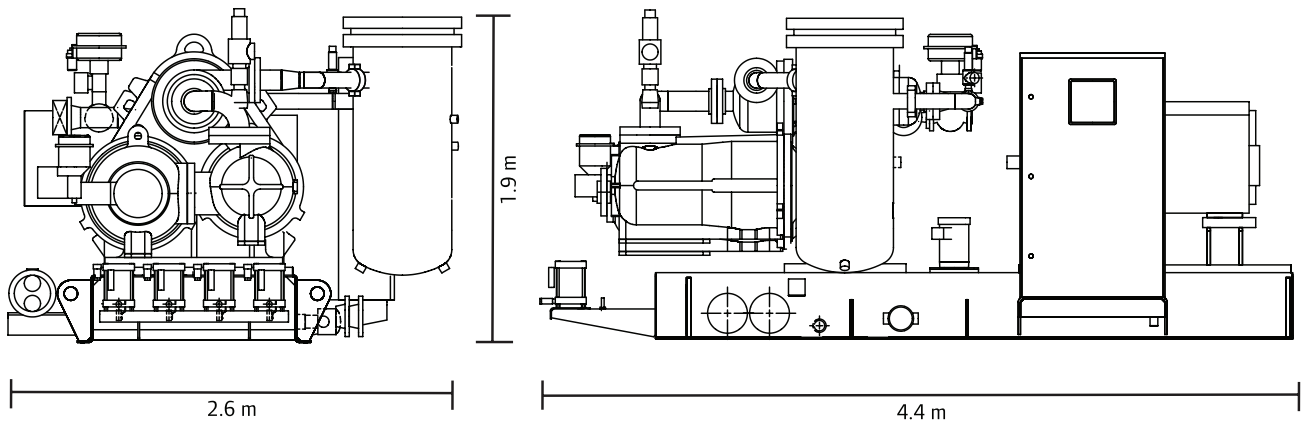
# Centac<sup>®</sup> C750

*Centac Centrifugal Compressors*

ISO 8573  
Class 0  
Oil-Free Air



- ISO Class 0 100% oil-free air under all operating conditions
- State-of-the-art control system
- Simplicity by design: only four main rotating parts
- Advanced aerodynamic design
  - High efficiency
  - Increased throttle range for high efficiency at partial load
- Low installation, maintenance and operating costs
- History of performance with over 20,000 Ingersoll Rand Centac<sup>®</sup> centrifugal compressors in use worldwide
- Worldwide service and parts support
- Constant pressure control
  - Stable system pressure
  - Smooth operation



**Standard Features Include:**

|   |  |
|---|--|
| Five axis precision machined stainless steel impellers                | Single point flanged connections for air and water               |
| Complete tested package with built-in lubrication and cooling systems | Integral water-cooled inter and aftercooler                      |
| Precision aligned, foot mounted motor                                 | 0.03-micron inlet air filter and bypass silencer (shipped loose) |
| Complete control, protection and diagnostic system                    | Wide range of pre-engineered options                             |

| Model       | Nominal Capacity   |       | Pressure |      | Dimensions (Length x Width x Height) | Weight |
|-------------|--------------------|-------|----------|------|--------------------------------------|--------|
|             | m <sup>3</sup> /hr | cfm   | bar g    | psig | m                                    | kg     |
| C750 1800   | 3,180              | 1,800 | 40       | 580  | 4.4 x 2.6 x 1.9                      | 9,550  |
| C750 2100   | 3,600              | 2,100 | 40       | 580  | 4.4 x 2.6 x 1.9                      | 10,000 |
| C750LP 2100 | 3,398              | 2,000 | 30       | 450  | 4.4 x 2.6 x 1.9                      | 10,000 |

Weights and dimensions may vary according to the options chosen.

Performance data based on reference conditions of 1 bar g/14.5 psig inlet pressure and 20°C inlet temperature. Please contact Ingersoll Rand for further information.



Ingersoll Rand, IR, the IR logo and Centac are trademarks of Ingersoll Rand, its subsidiaries and/or affiliates.

Ingersoll Rand compressors are not designed, intended or approved for breathing air applications. Ingersoll Rand does not approve specialised equipment for breathing air applications and assumes no responsibility or liability for compressors used for breathing air service.

Nothing contained on these pages is intended to extend any warranty or representation, expressed or implied, regarding the product described herein. Any such warranties or other terms and conditions of sale of products shall be in accordance with Ingersoll Rand's standard terms and conditions of sale for such products, which are available upon request.

Product improvement is a continuing goal at Ingersoll Rand. Designs, available functions and specifications are subject to change without notice or obligation.

[www.ingersollrandproducts.com](http://www.ingersollrandproducts.com)